



ACE01M,02M,03M,04M,05M Cordless C-Ringer



OPERATING & MAINTENANCE MANUAL



WARNING

BEFORE USING THIS TOOL, STUDY THIS MANUAL TO ENSURE SAFETY WARNING AND INSTRUCTIONS.

KEEP THESE INSTRUCTIONS WITH THE TOOL FOR FUTURE REFERENCE.

SIFCO fastening solutions

MAY 2023











ANN-CHAIN ENTERPRISE CO.,LTD.

Electric Tool Instruction

Safety Guidelines:

The following definitions describe the strictness of each vocabulary. Please read this manual and pay attention to these symbols.

-  WARNING! To reduce the risk of injury, the instruction manual must be read carefully.
-  WARNING: Indicates a potentially hazardous situation which, if not avoided, could result in death or serious injury.
-  CAUTION: Indicates a potentially hazardous situation which, if not avoided, could result in minor or moderate injury.
-  CAUTION: Indicates an action other than personal injury which, if not avoided, could result in property damage.
-  DANGER: Indicates an imminently hazardous situation which, if not avoided, will result in death or serious injury.
-  : Indicates a risk of electric shock.
-  : Indicates a fire hazard.
-  WARNING! Please read all safety warnings and instructions. Failure to follow these warnings and instructions may result in electric shock, fire and/or serious injury. Please keep all warnings and instruction manuals for future reference. The term "power tool" in warnings refers to mains-operated (plug-in) power tools, or battery-operated (rechargeable) power tools.

Workplace Safety

- Keep the workplace clean and bright. Cluttered or dark venues can cause accidents.
- Do not operate power tools in explosive atmospheres such as flammable liquids,



ANN-CHAIN ENTERPRISE CO.,LTD.

gases or dust. Sparks from power tools may ignite dust or gas.

- Wait until children and bystanders are away before operating power tools.
Distractions can cause you to lose control.

Personal safety

- Stay alert; Be aware of what you are doing and use common sense when operating power tools. Never operate a power tool if you are tired, or under the influence of drugs, alcohol, or treatment. Distraction while operating a power tool can result in serious injury.
- Use personal protective equipment. Always wear eye protection. Protective equipment such as a dust mask, non-skid safety shoes, hard hat, or hearing protection when used for appropriate conditions can reduce personal injury.
- Avoid accidental activation. Before connecting the power source and/or battery pack, lifting or transporting the power tool, make sure the switch is in the off position. Handling a power tool with your finger on the switch or leaving the switch in the on position while the power tool is plugged in can present a hazard.
- Remove any adjusting tools or wrenches before starting the power tool. A wrench or adjustment tool left on rotating parts of a power tool can cause personal injury.
- Don't overstretch your hands. Always pay attention to the balance of your feet and body. This allows better control of the power tool in the event of an accident.
- Dress appropriately. Do not wear loose clothing or jewelry. Keep your hair, clothing and gloves away from moving parts. Loose clothing, jewelry or long hair can get caught in moving parts.
- If equipped with devices for connecting chip removal devices and dust collection equipment, please ensure that these devices are connected and used correctly. Dust-related hazards can be reduced by using dust collection equipment.

Electrical Safety, Chargers



ANN-CHAIN ENTERPRISE CO.,LTD.

- ⚠ **WARNING:** Danger of electric shock, please keep the battery charger clean, dirt and any liquid entering the charger may cause electric shock.
- ⚠ **WARNING:** Risk of electric shock. Do not touch the uninsulated part of the output connector or the uninsulated battery terminals.
- ⚠ **Note:** The electric motor is only suitable for one voltage, please be sure to check whether the voltage of the battery pack is consistent with that of the implement, and ensure that the voltage of the charger is consistent with the voltage of the power supply.
- ⚠ **CAUTION:** Children must be supervised to ensure they are clear of play equipment.
- ⚠ **Note:** In some cases, after the charger is connected to the power source, the exposed charging contacts inside the charger will be contacted by foreign objects and cause a short circuit. Conductive foreign objects, including but not limited to steel wool, aluminum foil, or any object composed of metal particles, must be kept away from the charger. When there is no battery pack in the charger, be sure to unplug the charger.
- The battery charging pack plug must fit the socket. Do not modify the plug in any way. Unmodified plugs and matching outlets reduce the risk of electric shock.
- Do not charge other batteries. The battery charger is only suitable for charging the accompanying Li-ion battery within the listed voltage range. Otherwise there is a risk of fire and explosion.
- Do not use the charger on flammable surfaces (such as paper, textiles, etc.) or in flammable environments. Heating of the charger during charging may cause a fire.
- Unplug the charger from the electrical outlet before attempting any maintenance or cleaning to reduce the risk of electric shock. Use a soft cloth or non-metal soft brush to remove dirt and grease from the outside of the charger.
- When interrupting power to the charger, pull the plug, not the cord. This reduces the



ANN-CHAIN ENTERPRISE CO.,LTD.

risk of damage to the power plug and cord.

- Keep cord away from heat, oil, sharp edges and moving parts. Damaged or tangled cords increase the risk of electric shock.
- Make sure that the wires are placed in a way that they will not be trampled on, create a tripping situation, or be otherwise susceptible to damage.
- Do not use an extension cord to use the charger unless necessary. Using improper extension cords can cause fire, electric shock and personal property damage.
- Do not use the charger if it has been hit hard, dropped, or otherwise damaged.
- Do not disassemble the charger by yourself. Please be sure to check the charger, data cable and plug before use. If a defect is detected, do not use charger; never open charger. Instead, it should only be opened and repaired by qualified personnel using original spare parts. Damaged chargers, cables and plugs increase the risk of electric shock. Improper reassembly may result in fire, electric shock and personal property damage.

Charger operation

- Please charge indoors. Use only the battery chargers listed on the accessories page. Only these battery chargers are compatible with the lithium-ion batteries of your power tools.
- The battery is partially charged. To ensure a fully charged battery, fully charge the battery in a battery charger before using the power tool for the first time.
- Lithium-ion batteries can be recharged at any time without reducing their service life. Interrupting the replacement process will not damage the battery.
- To remove the battery, press the battery release button and pull down on the battery. Don't push too hard.
- The battery is equipped with NTC temperature control, which only allows temperature



ANN-CHAIN ENTERPRISE CO.,LTD.

changes within the range of 5°C to 40°C. A long battery life is achieved in this way.

- Please observe disposal precautions.

Charger LED indication function

LED Display Status	Battery Status	Description
Flashing yellow light	Defective	The battery pack or charger is defective
Slowly flashing yellow light	Charging	The battery pack is charging
Solid yellow light	Fully charged	Charging complete
Light not blinking	Standby	Standby mode

Electronic Protection System

- The implement is designed with an electronic protection system that protects the battery pack from overload, overheating or deep discharge.
- If the electronic protection system is activated, the tool will automatically shut down.

If this happens, put the lithium-ion battery pack in the charging gas until it is fully charged.

Battery Pack Usage and Precautions

- ⚠ **WARNING:** Burn hazard. Battery fluid may ignite if exposed to sparks or flames.
- ⚠ **WARNING:** Fire hazard. When storing or transporting the battery pack, do not allow metal objects to touch the exposed battery terminals, and keep them away from small metal objects such as paper clips, coins, keys, pins, nails, or other small metal objects that may form a bond between the battery terminals. Establishing a short circuit between the battery terminals can cause burns or cause a fire.



ANN-CHAIN ENTERPRISE CO.,LTD.

- ⚠ Please observe the special regulations and operating instructions applicable to handling, storage and use of lithium batteries.
- ⚠ The battery in the box is not fully charged. Before using the battery pack and charger, please read this instruction manual and follow all safety instructions.

- Please use the charger specified by the manufacturer to charge the battery. Use of other than original battery packs can result in personal injury and fire hazard.
- Follow all charging instructions and do not charge the battery pack outside the temperature range specified in the instructions. Improper charging or charging at temperatures outside the specified range may damage the battery and increase the risk of fire.
- Do not use damaged or altered battery packs or tools. A damaged or altered battery may exhibit unpredictable behavior resulting in a risk of fire, explosion, or injury.
- Do not expose batteries to high temperatures, direct sunlight, or flames. Do not disassemble, crush or incinerate the battery, and do not place the battery in an environment with a temperature exceeding 40°C, which may cause an explosion.
- Do not use or charge a battery that has been subjected to mechanical shock, dropped from a height, or shows signs of damage. In this case, be sure to contact a technician.
- If the battery is too hot to touch, it may be damaged. At this time, the product can be placed in a non-flammable place where it can be observed at any time and allowed to cool, while keeping away from flammable substances. In this case, be sure to contact a technician.
- If misused, liquid may flow from the battery; please avoid contact with this liquid. Fluid seeping from the battery may cause allergies or burns. In case of accidental contact, rinse with water. If you accidentally get the liquid in your eyes, open your eyes and rinse with water for 15 minutes until the discomfort disappears, if you still feel abnormal, seek medical assistance immediately.
- Do not incinerate battery packs even if they are severely damaged or worn. Battery





ANN-CHAIN ENTERPRISE CO.,LTD.


packs can explode in a fire, and incineration of lithium-ion battery packs produces toxic gases and materials.


- Keep the battery free from grease. Clean the housing only with a soft, slightly damp cloth. Do not use silicone-based cleaners or polishes as they may damage the plastic parts.
- Prevent moisture and water from entering the battery pack. Make sure the battery pack metal contacts are dry and free from oxidation.


Use and Maintenance of Electric Tools

 **WARNING:** To reduce the risk of serious personal injury, turn tool off and disconnect battery pack before making any adjustments that require or removing/installing attachments or accessories.

 **WARNING:** To reduce the risk of serious personal injury, do not hang tool overhead or hang objects from the belt hook, only the tool belt hook on the work safety belt.

 **WARNING:** If you need to remove the belt hook, only use the screws provided by the tool, and make sure that the screws that fix the belt hook are tight enough.

 **WARNING:** If the power indicator light is red, it means that the machine is abnormal, please stop working immediately and turn off the power.

 **WARNING:** The protective device will activate when the implement is overloaded or overheated.

- Make sure the product is turned off before inserting batteries. Please remove the battery before adjusting the machine or changing accessories.
- Follow these instructions on the use of implements, accessories, tool sets, etc., taking into account the working conditions and the work to be done. Use of implements for purposes other than their intended purpose may be hazardous.



ANN-CHAIN ENTERPRISE CO.,LTD.

- Do not use the power tool if the switch is abnormal and the power tool cannot be turned on or off. Any implement that cannot be controlled by a switch is dangerous and requires repair.
- Do not overload power tools. Use the appropriate power tool for your application. Using the proper power tool for the application for which it was designed will allow you to perform your job more efficiently and safely.
- Do not store or use tools and battery packs where temperatures may reach or exceed 40°C (104°F), such as outside in a shed or metal building in summer.
- Turn off the implement immediately if an accessory tool becomes stuck. The implement may snag the wire. Wait for implement to come to a complete stop before setting it down.
- Before performing any adjustments, changing accessories, or storing a power tool, unplug it from the power source and/or remove the battery pack. Such protective safety measures reduce the risk of accidental starting of the power tool.
- Maintain power tools. Check for misalignment or binding of moving parts, broken parts, and any conditions that may affect the operation of the machine. Check for misalignment or binding of moving parts, breakage, and other conditions that could affect the operation of the power tool. If damaged, the power tool must be repaired before use. Many accidents are caused by poor maintenance of power tools.
- Store idle machines out of the reach of children, and do not allow persons who are not familiar with or have not read this manual to operate the machine. Implements are dangerous in the hands of untrained users.

Power tool LED indication function

Energy-saving circuit design, host standby timeout setting after 20 minutes,

Entered the sleep energy-saving state, it must be restarted to wake up.

LED Display Status	Description	Condition handling
--------------------	-------------	--------------------



Solid green light	Power on, host in standby mode	No abnormality
Solid red light	Low battery voltage	Replace battery
Slowly flashing red light	The temperature monitoring mechanism is on	Wait for cool down before using
Flashing red light	Actuating mechanism is abnormal	Refer service to qualified service personnel

Regular Maintenance and Maintenance of Machinery and tools

⚠ WARNING: To reduce the risk of injury, turn tool off and disconnect from power source before installing or removing accessories, before adjusting or changing settings, or when performing repairs.

- Make sure the rocker switch is in the OFF position. Accidentally starting the tool can cause injury.
- Before maintenance and maintenance, please be sure to remove the battery!
- Carefully remove any attached dirt. Carefully clean the vents with a dry brush. Clean the case only with a soft, slightly damp cloth. Do not use silicone-based cleaners or polishes as they may damage the plastic parts.
- Please use adhesive butter for internal structure maintenance. Please avoid circuit boards and micro switches during maintenance to avoid circuit abnormalities.
- Periodically inspect external parts and controls for signs of damage and verify that they are functioning properly. Do not operate this product if it shows signs of damage or if any part is malfunctioning. Please send the product to a technician immediately for repair.
- After cleaning and maintenance, fit any protective covers or protective devices and check for proper function.
- To ensure safe and reliable operation, be sure to use original spare parts and consumables.



Repair

- Refer implement to qualified service personnel for repair, with identical replacement parts. This ensures maintenance tool safety.

Storage of Equipment

⚠ Attention: Accidental damage caused by battery failure or leakage! Always remove the battery when storing the product!

⚠ NOTE: Battery packs should not be stored in a depleted condition. The battery pack must be recharged before use.

⚠ Note: If the battery needs to be stored for a long time, it is recommended to remove the fully charged battery from the charger and store it in a cool and dry place, so that the battery pack can achieve the best performance.

- Please store the machine and battery in a cool and dry place as much as possible (not exceeding 40°C).
- Do not store batteries in direct sunlight, next to heaters or on window sills.
- Store the machine and batteries in a dry place out of the reach of children or unauthorized persons.
- After long-term storage, please check whether the machine and battery are damaged before use.

Transportation

⚠ WARNING: Fire hazard. Please observe the special regulations and operating instructions of applicable to handling, storage and use of lithium batteries.

⚠ Note: Lithium-ion batteries should not be placed in checked baggage.

Residual Risk



ANN-CHAIN ENTERPRISE CO.,LTD.

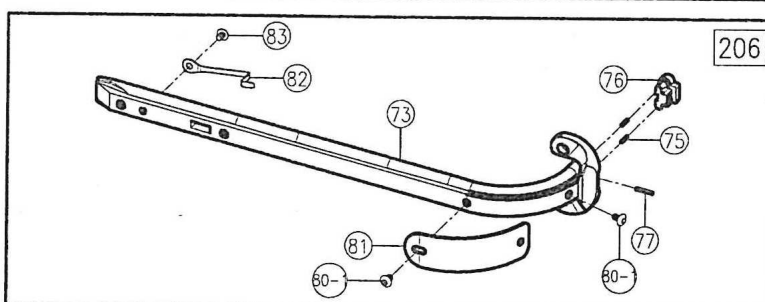
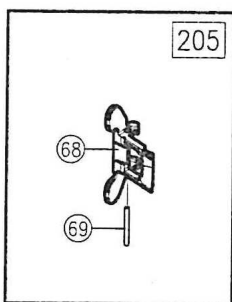
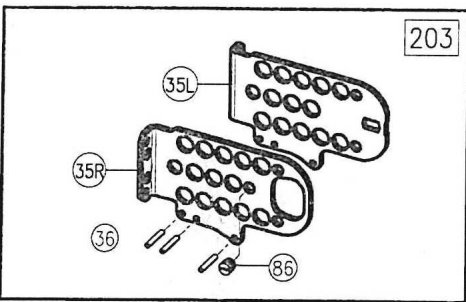
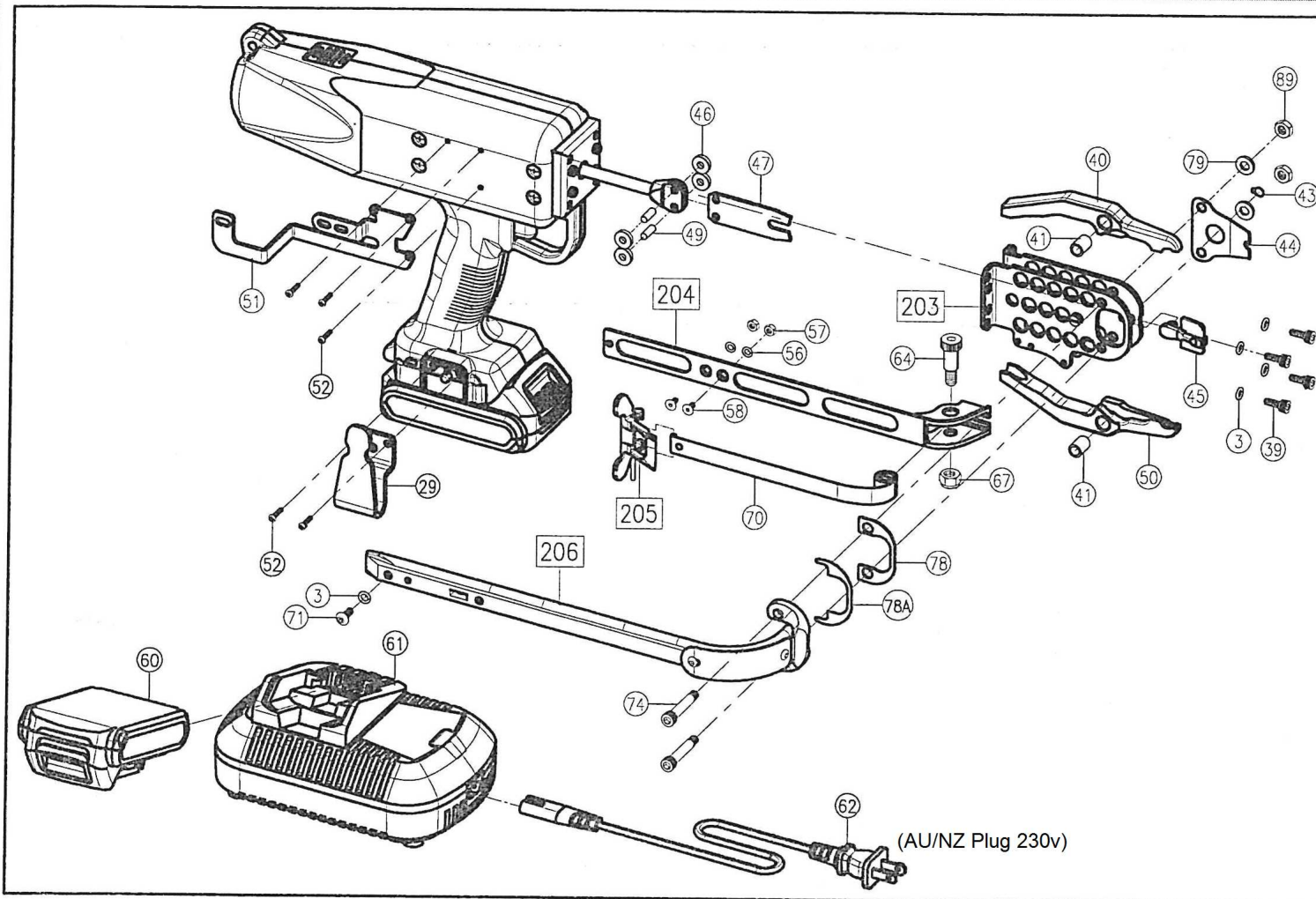
Even with the application of relevant safety regulations and the use of safety equipment, there are still some unavoidable residual risks. Include:

- hearing loss.
- Risk of personal injury from flying particles.
- Risk of burns from accessories becoming hot during operation.
- Risk of personal injury from prolonged use.

Protect Environment

- Category collection. This product must be disposed of separately from general household waste.

ACE01M, ACE02M, ACE03M, ACE04M, ACE05M Cordless C-ring Plier



ITEM	DESCRIPTION	TOOL NO.	PART NUMBER	Q'TY
3	Spring Washer		AC01003	5
29	Hanger		ACE01029	1
35R	Side Plate (Right)		AC0135R	1
35L	Side Plate (Left)		AC0135L	1
36	Roll Pin		AC01036	3
39	Screw		AE01A131	4
40	Upper Jaw	ACE01 ACE02 ACE03 ACE04 ACE05	ACE01040 ACE02040 ACE03040 ACE04040 ACE05040	1
41	Jaw Bushing		AC01041	2
43	Latch Pin Clip		AC01043	1
44	Latch Spring	ACE01/02/03/04 ACE05	AC01044 AC05044	1
45	Latch	ACE01 ACE02 ACE03/04 ACE05	AC01045 AC02045 AC03045 AC05045	1
46	Roller	ACE01/03/04/05 ACE02	AC01046 AC02046	4
47	Feeder Blade	ACE01 ACE02 ACE03/04 ACE05	AC01047 AC02047 AC03047 AC05047	1
49	Roller Pin		AC01049	2
50	Lower Jaw	ACE01 ACE02 ACE03 ACE04 ACE05	ACE01050 ACE02050 ACE03050 ACE04050 ACE05050	1
51	Feeder Arm	ACE01 ACE02/03/04/05	ACE01012 ACE02012	1
52	Screw		ACE01043	5
56	Spring Washer		AC01056	2
57	Nut		AC01057	2
58	Screw		AC01M084	10
60	Battery 2.5AH		ACE01039	2
61	Charging Stand		ACE01041	1
62	Charging Cable		L22/2M	1
64	Socket Head Cap Screw		AC01064	1
67	Nut		AC01067	1
68	Pusher	ACE01 ACE02/03/04/05	AC601068 AC602068	1
69	Extruded Rivet		AC01069	1
70	Pusher Spring		AC01070	1
71	Screw		AC01071	1
73	Magazine	ACE01 ACE02/03/04/05	AC01M073 AC02AR073	1
74	Jaw Bolt		AC01074	2
75	Magazine Spring	ACE01 ACE02/03/04/05	AC01075 AC02075	2
76	Magazine Shoe	ACE01 ACE02/03/04/05	AC01M076 AC02M076	1
77	Roll Pin	ACE01 ACE02/03/04/05	AC01077 AC02077	1
78	Magazine Shim		AC01078	1
78A	Magazine Shim		AC0178A	1
79	Washer		AC01079	2
80-1	Screw	ACE02/03/04/05	AC02080-1	2
81	Guard	ACE02/03/04/05	AC02081	1
82	Clip Anti-Backup	ACE02/03/04/05	AC02082	1
83	Screw		AC01M083	1
86	Plate Screw		AC01M086	1
89	Flexloc Nut		AC01089	2
201	Piston Rod Assy.	ACE01 ACE02 ACE03 ACE04 ACE05	ACE01201 ACE02201 ACE03201 ACE04201 ACE05201	1
202	Driver Screw Assy.		ACE01202	1
203	Frame Assy.		AC01203	1
204	Feeder Guide Rail	ACE01 ACE02/03/04/05	AC01204 AC02204	1
205	Pusher Assy.	ACE01 ACE02/03/04/05	AC601205 AC602205	1
206	Magazine Assy.	ACE01 ACE02/03/04/05	AC01M206 AC02AR206	1